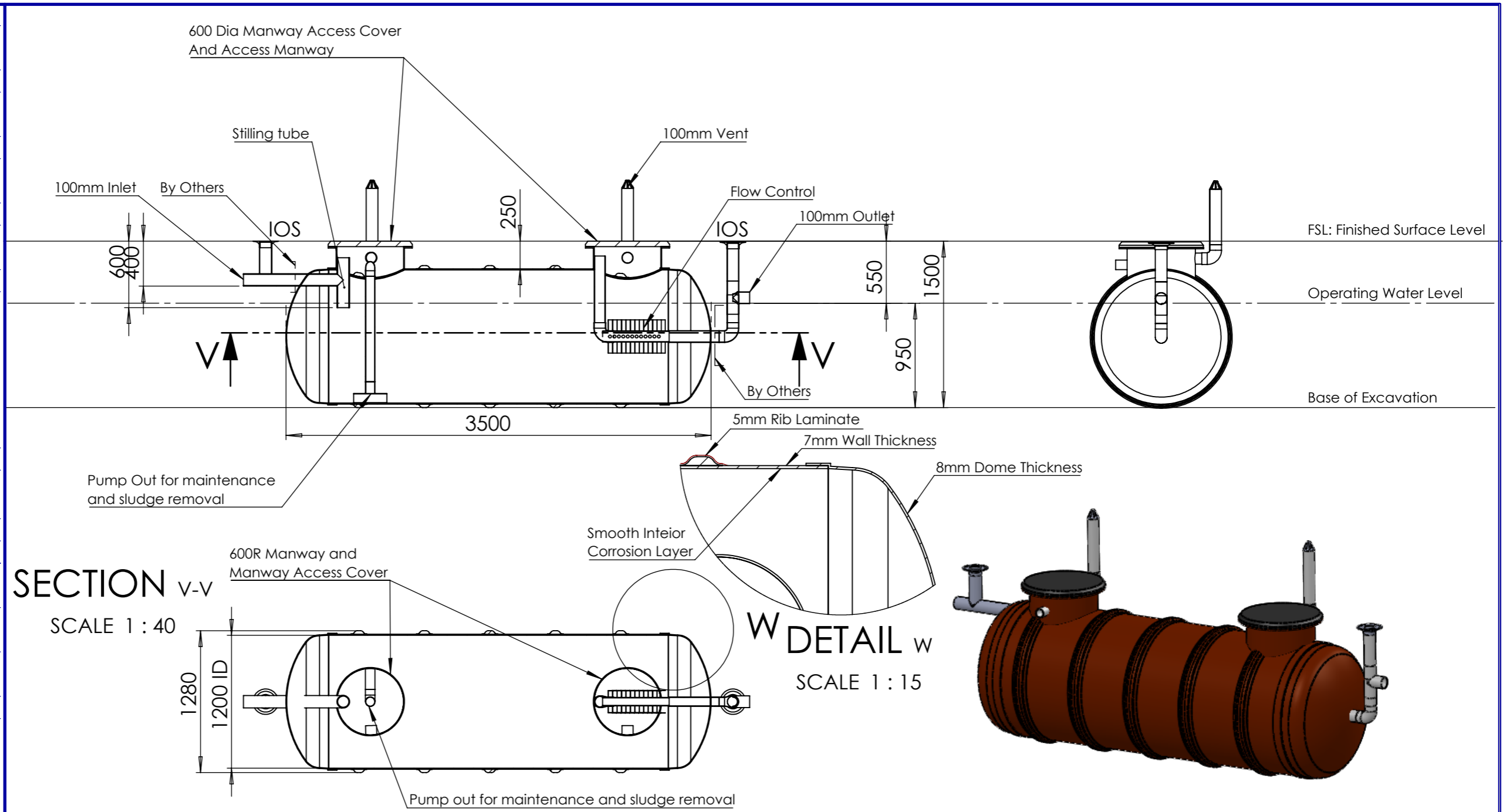


CUSTOMER NAME:	
CUSTOMER REF NO:	
PROJECT NAME:	
PART NO:	
B.GH.3000.C	
DESCRIPTION:	
Below ground, horizontal, 3000L nominal capacity grease arrestor with flow control system. The tank is 3500mm long with 1200 diameter and 2 x 600 dia manways	
SCALE: N.T.S	SIZE:
DRAWING NO.:	
SHEET: 1	
REV:	
Drawn By: NR	Date: 22/01
Checked By:	Date:
Approved By:	Date:

Dig Add
 CONFIDENTIAL - The drawings must not be disclosed to any third parties without written permission from Protec FRP. Unauthorised disclosure may result in prosecution.
 © Protec FRP - This drawing is the property of Protec FRP ACN: 609512905 and is subject to return on demand. It is submitted for the use only in connection with the proposal and contracts of Protec FRP with the expressed conditions that it is not to be reproduced or copied in any form. This data must only be used in accordance with our standard terms and conditions.
 © Copyright
 Protec FRP accepts no responsibility for any loss or damage resulting from any person acting on this information. The details and dimensions contained in this document may change, please check with Protec FRP for confirmation of current specifications.

APPROVED FOR CONSTRUCTION
 This drawing replaces all previous revisions
 Name: _____
 Client: _____
 Position: _____
 Signed: _____
 Date: _____



GREASE ARRESTORS BY AUSTERE PUMPS

A grease arrestor by AUSTERE PUMPS is a system that is made from high strength and long life fibre reinforced polymers to intercept and remove almost all greases and solids before they enter the water systems. The processes used in grease arrestors is very simple in theory, and hence provide an simple an effective method of removing grease from sewerage. The grease is collected in these large systems where the grease layer is decomposed and broken down in an anaerobic process.

STANDARDS

1. AS 5200 - 2005 - Procedures for certification of plumbing and drainage products
2. AS 3500:2003 - Plumbing and Drainage
3. AS/NZ 4494:1998 - Discharge of commercial and industrial liquid waste to sewer - General performance requirements.

HORIZONTAL INSTALLATION

1. Excavate an area for positioning with suitable easy placing of the tank and filling as well as for consolidating concrete for backfilling.
2. Lifting and handling of the system must use appropriate processes. More details can be found in the Manual. All lifting apparatus (cables, straps, chains etc.) must be provided by a contractor.
3. Installation can be conducted with or without appropriately designed feet for the product, each with their own following installation instruction details found in the Installation Manual. The system can be secured in several ways including Pea gravel and concrete surrounds, stabilised sand surroundings, concrete base and concrete surround - more details can be found in the below ground Grease Arrestor installation manuals
4. Ensure all connections are in accordance with appropriate construction methods and secured airtight before backfill.

EXCAVATION DETAILS

1. Ensure that the excavation site is not larger than necessary, ensuring that the depth of the excavation is no more than 150mm deep and no greater than 75mm wider than the width of the tank being installed.